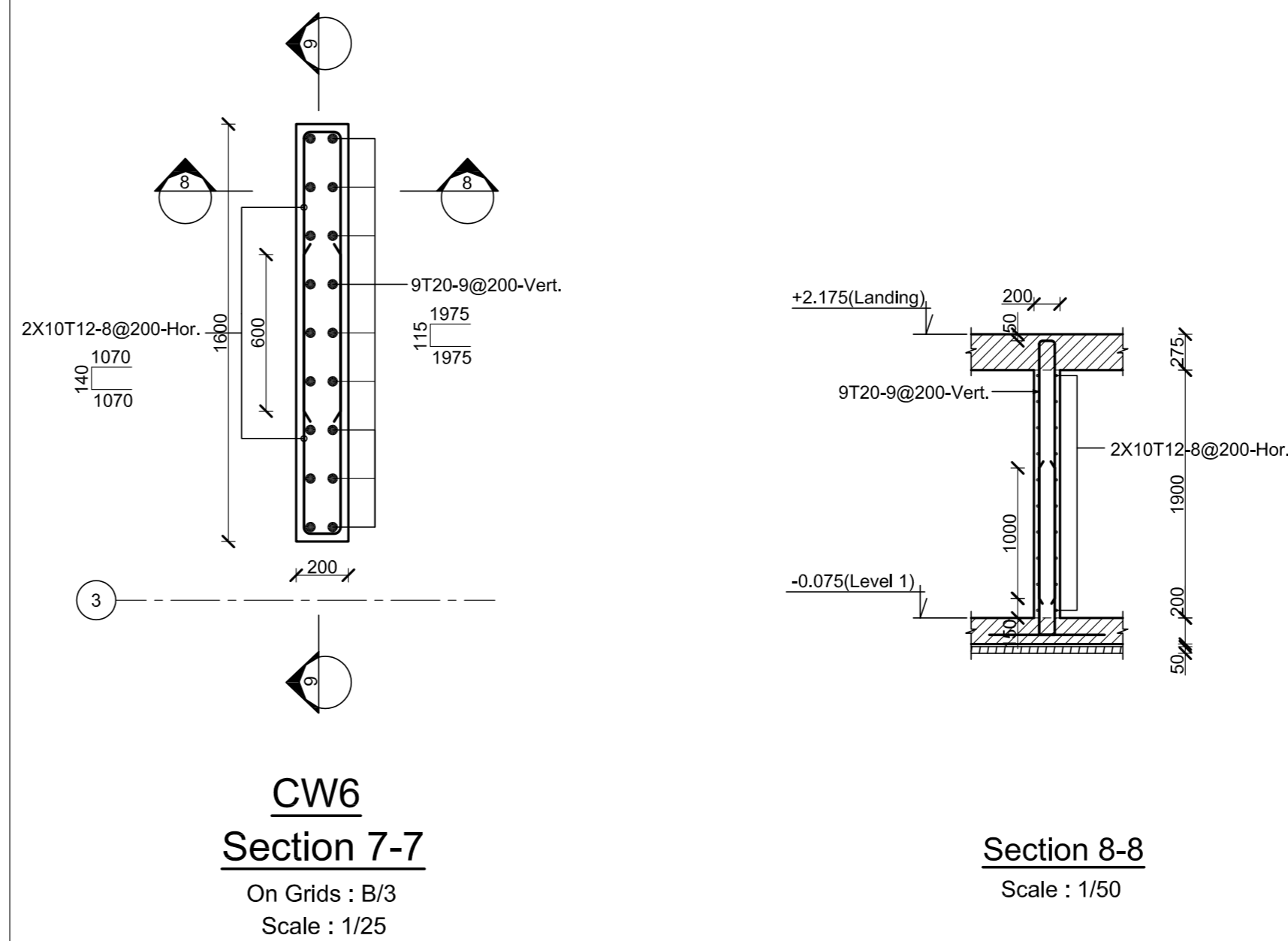


CW3
Section 1-1
On Grids : E/11
Scale : 1/25

Section 2-2
Scale : 1/50

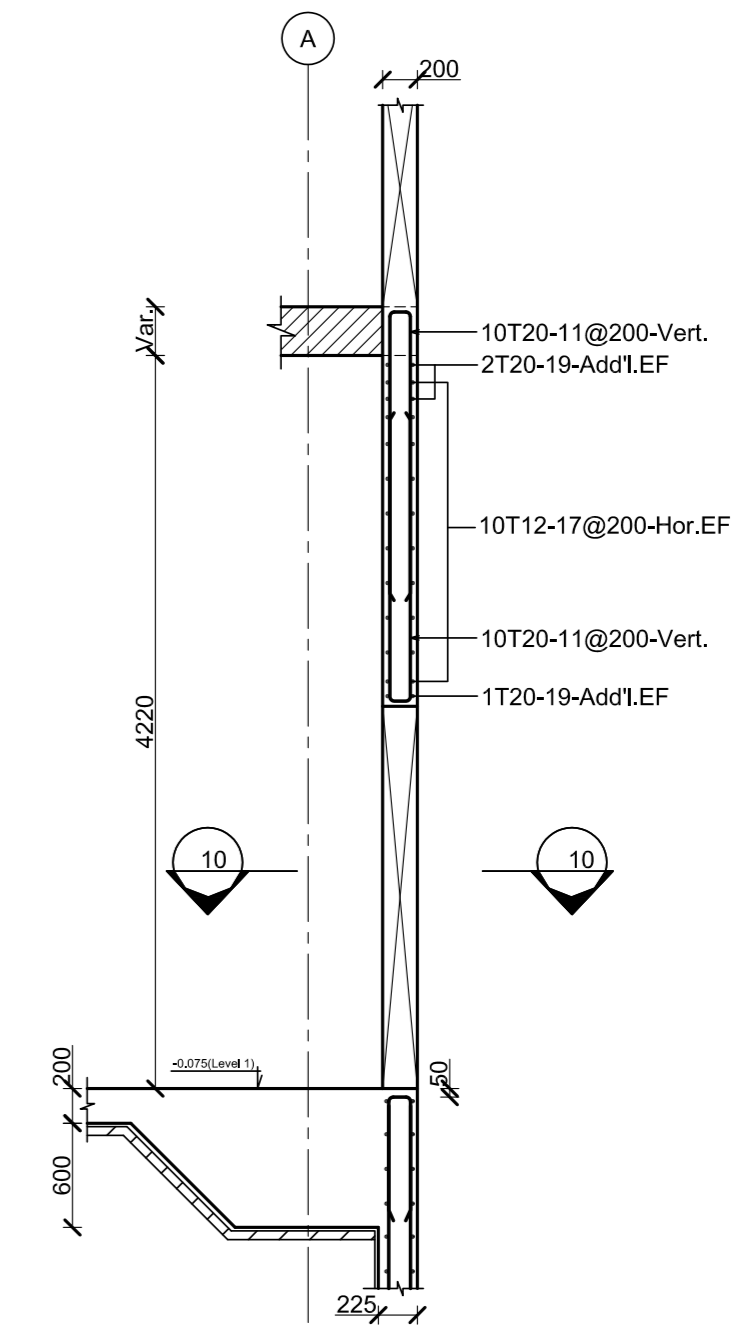
Vertical Shapes	Horizontal Shapes
01 5500	02 220 870 870

Section 3-3
Scale : 1/50



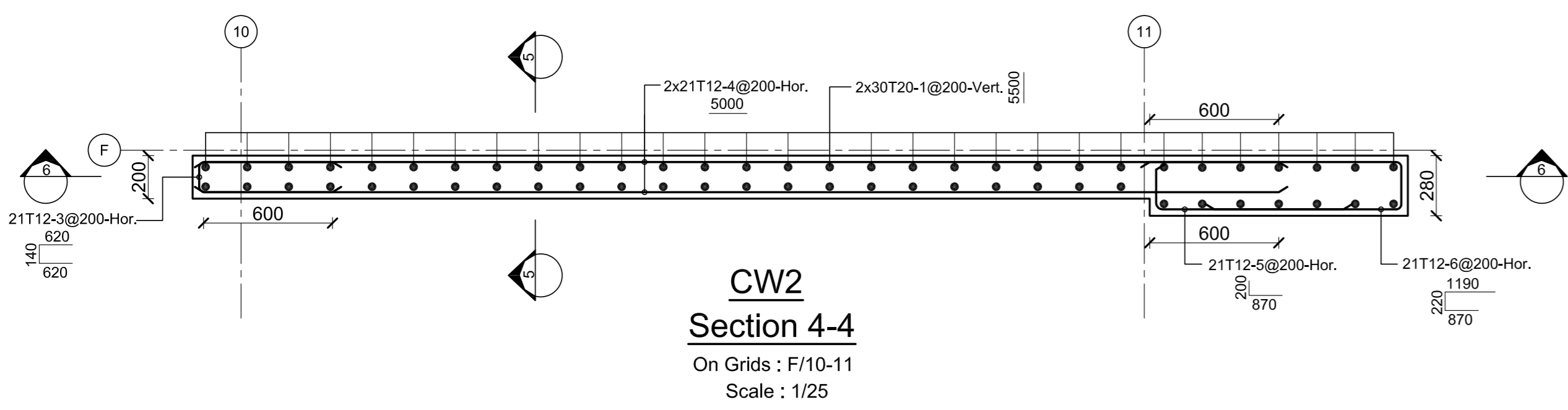
CW6
Section 7-7
On Grids : B/3
Scale : 1/25

Section 8-8
Scale : 1/50

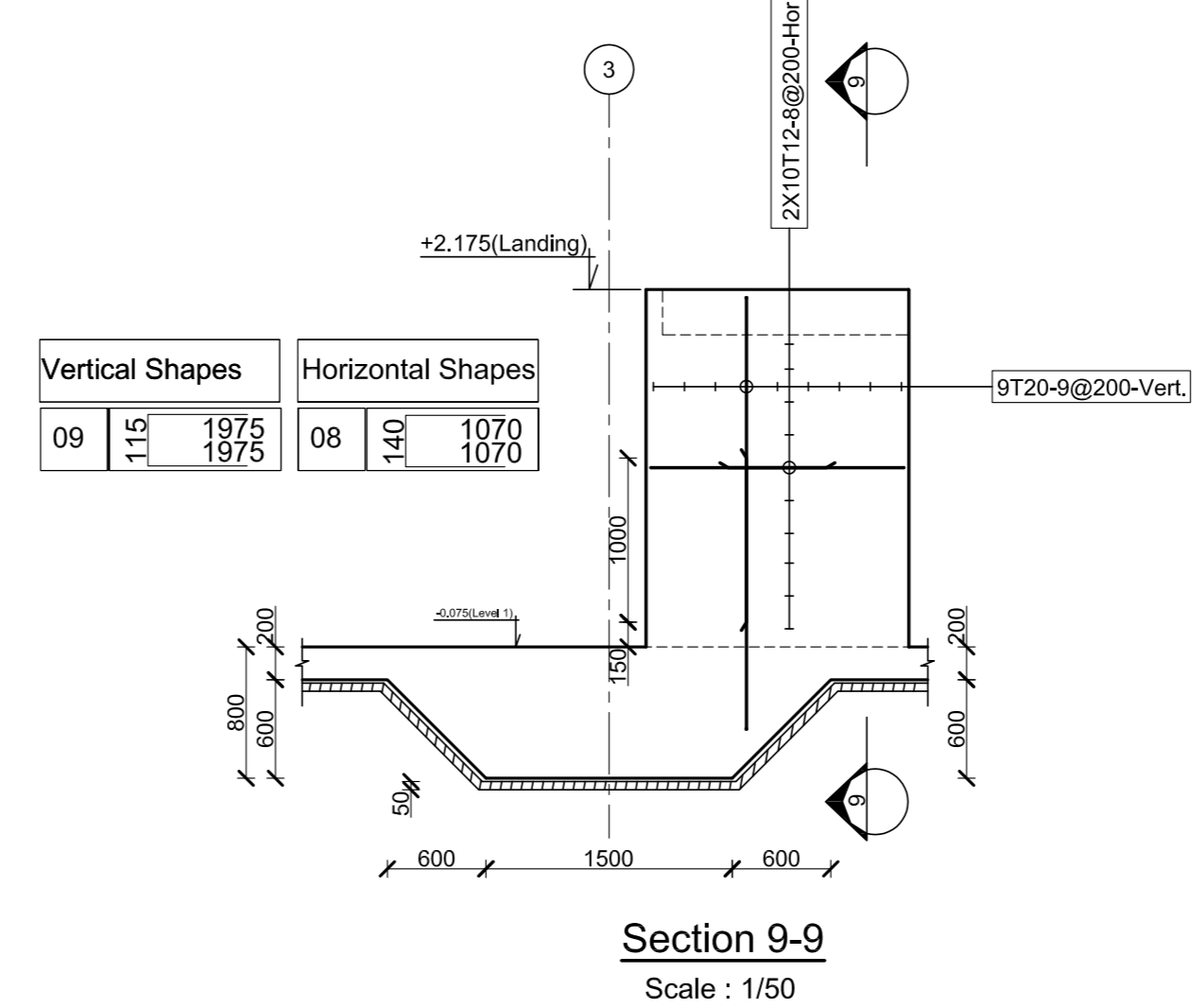


Section 11-11
Scale : 1/50

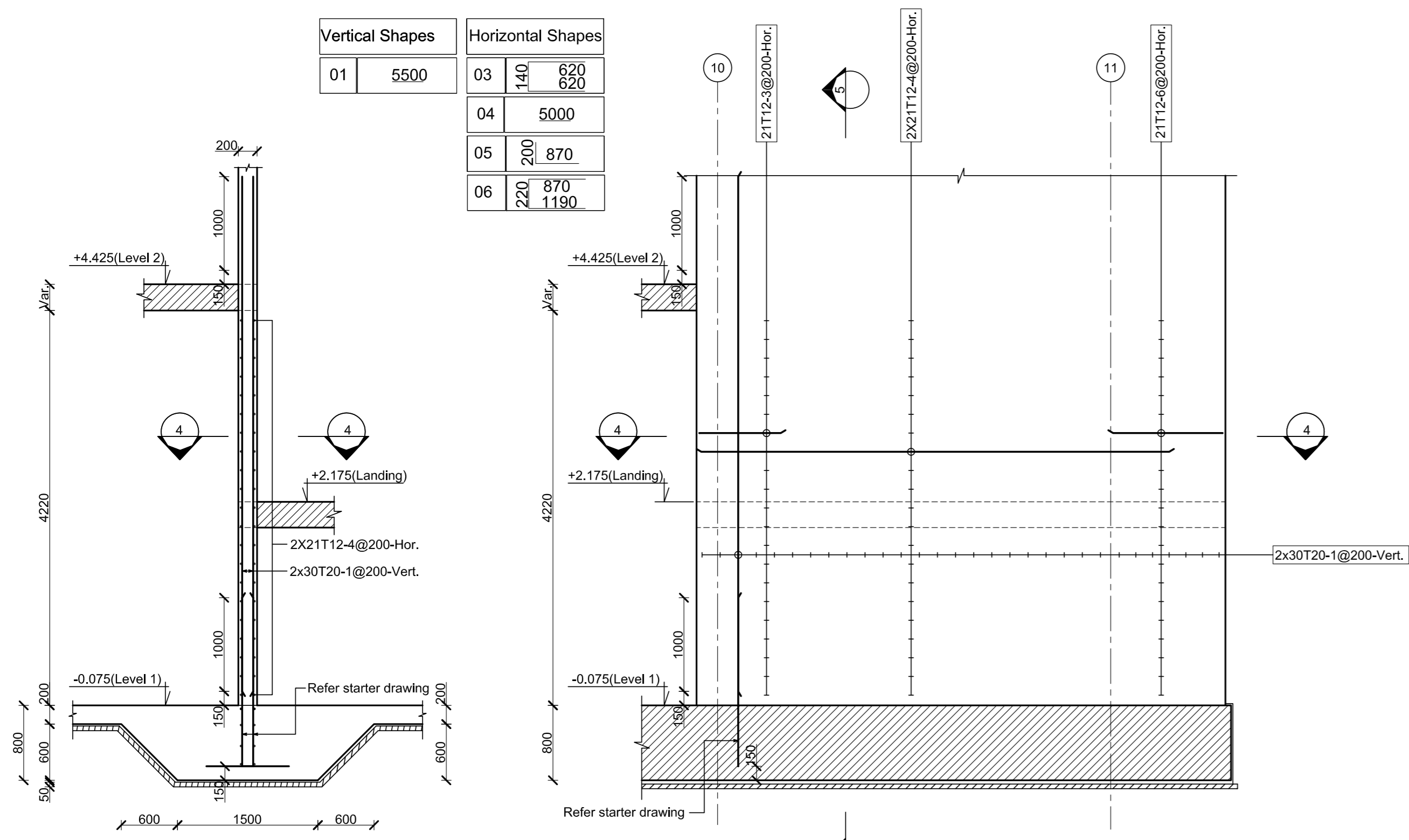
Vertical Shapes	Horizontal Shapes
10 5500	14 140 390
11 115 1620 1620	15 140 820 820
18 450 1115	16 2900
	17 2300
	19 580 2740



CW2
Section 4-4
On Grids : F/10-11
Scale : 1/25



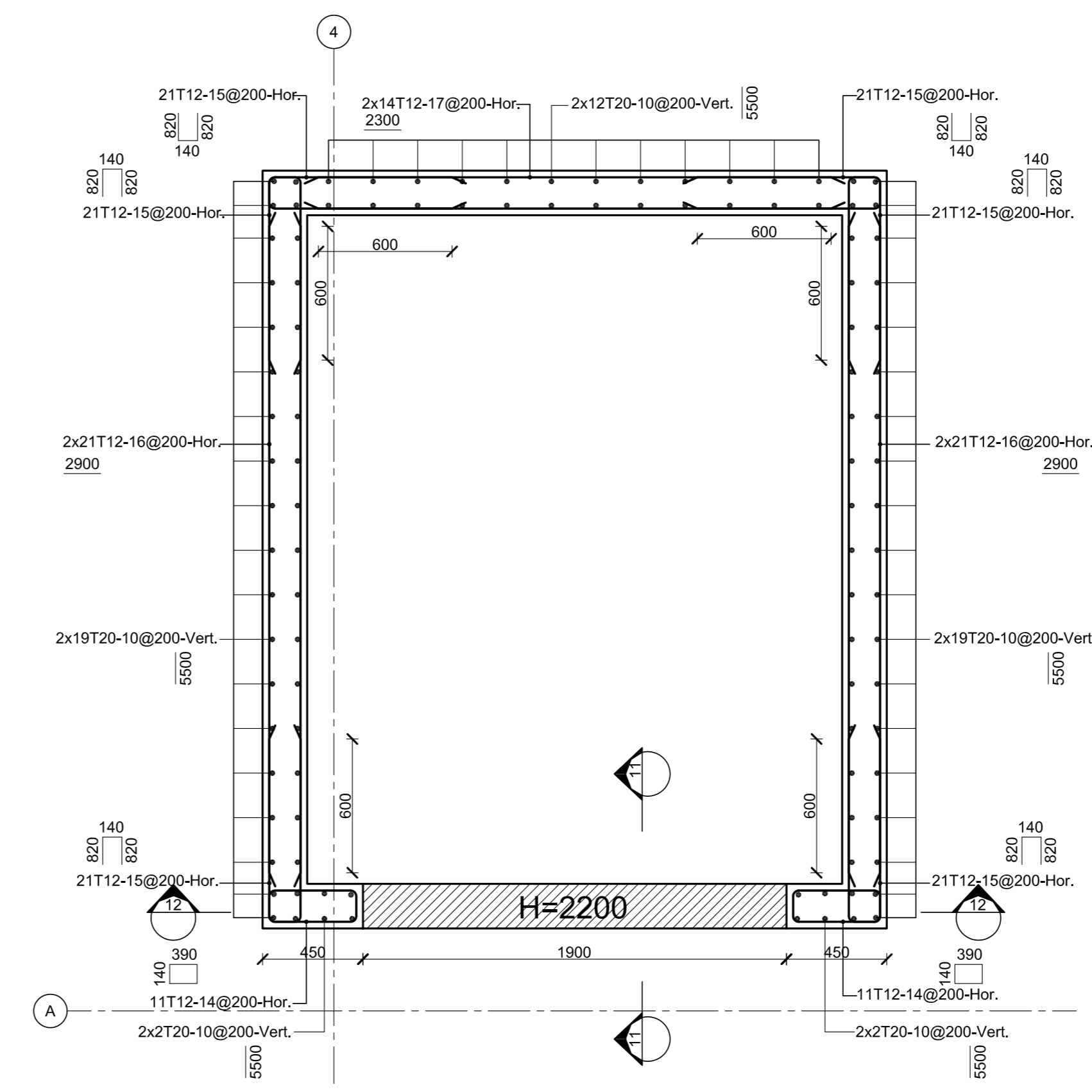
Section 9-9
Scale : 1/50



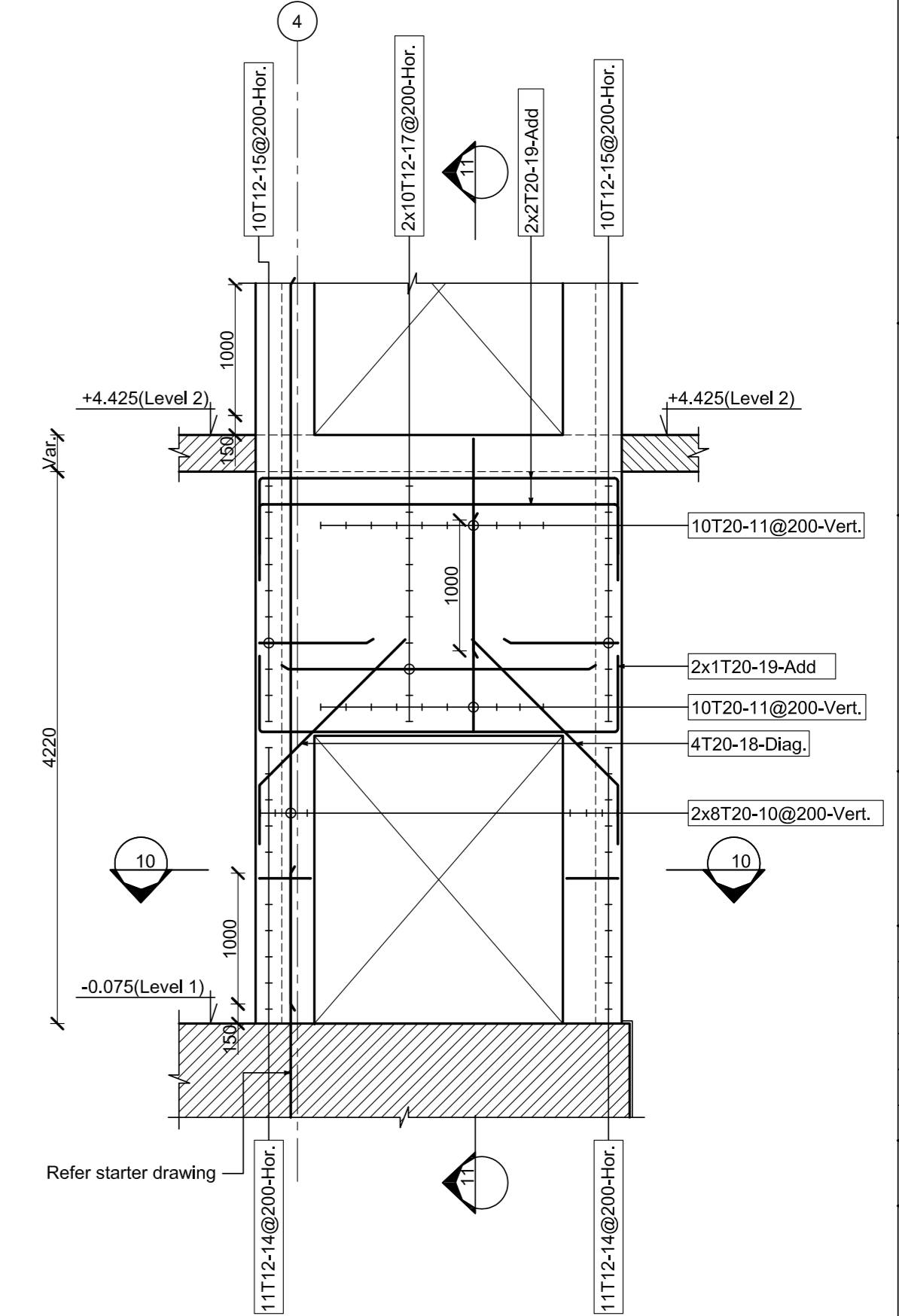
Section 5-5
Scale : 1/50

Section 6-6
Scale : 1/50

Vertical Shapes	Horizontal Shapes
01 5500	03 140 620 620
	04 5000
	05 200 870
	06 220 870 1190



CW4
Section 10-10
On Grids : A/4
Scale : 1/25



Section 12-12
Scale : 1/50