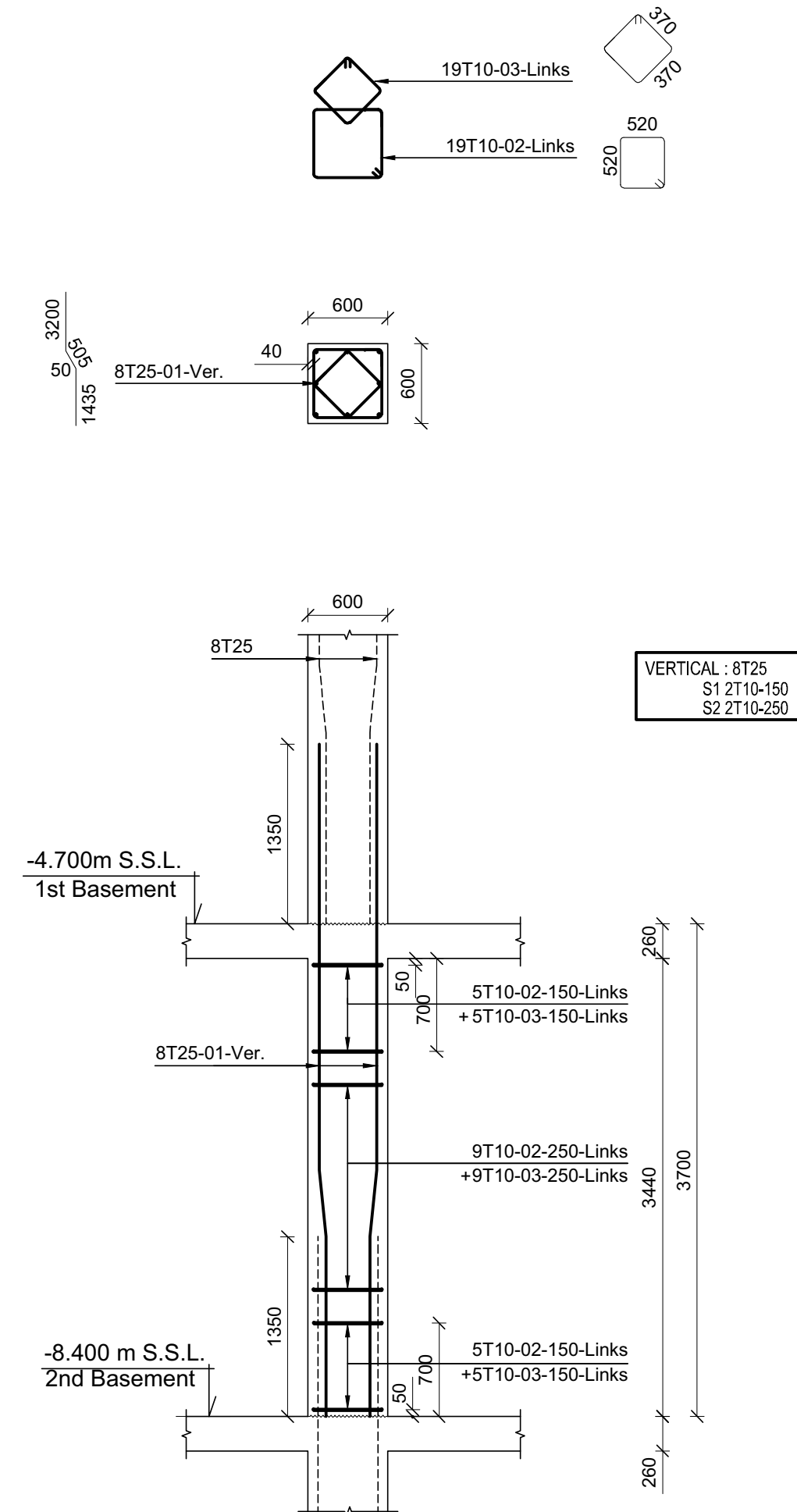
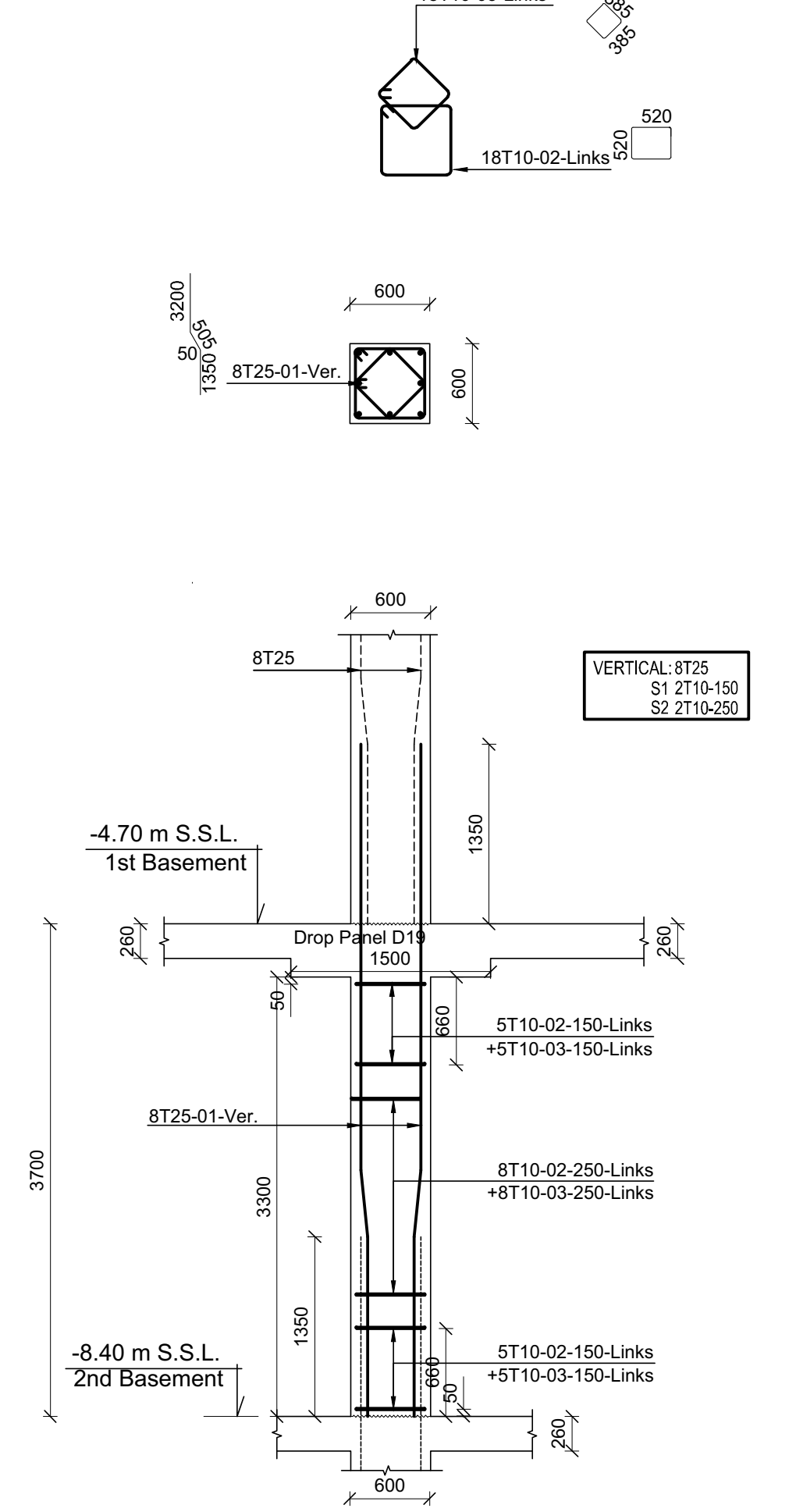


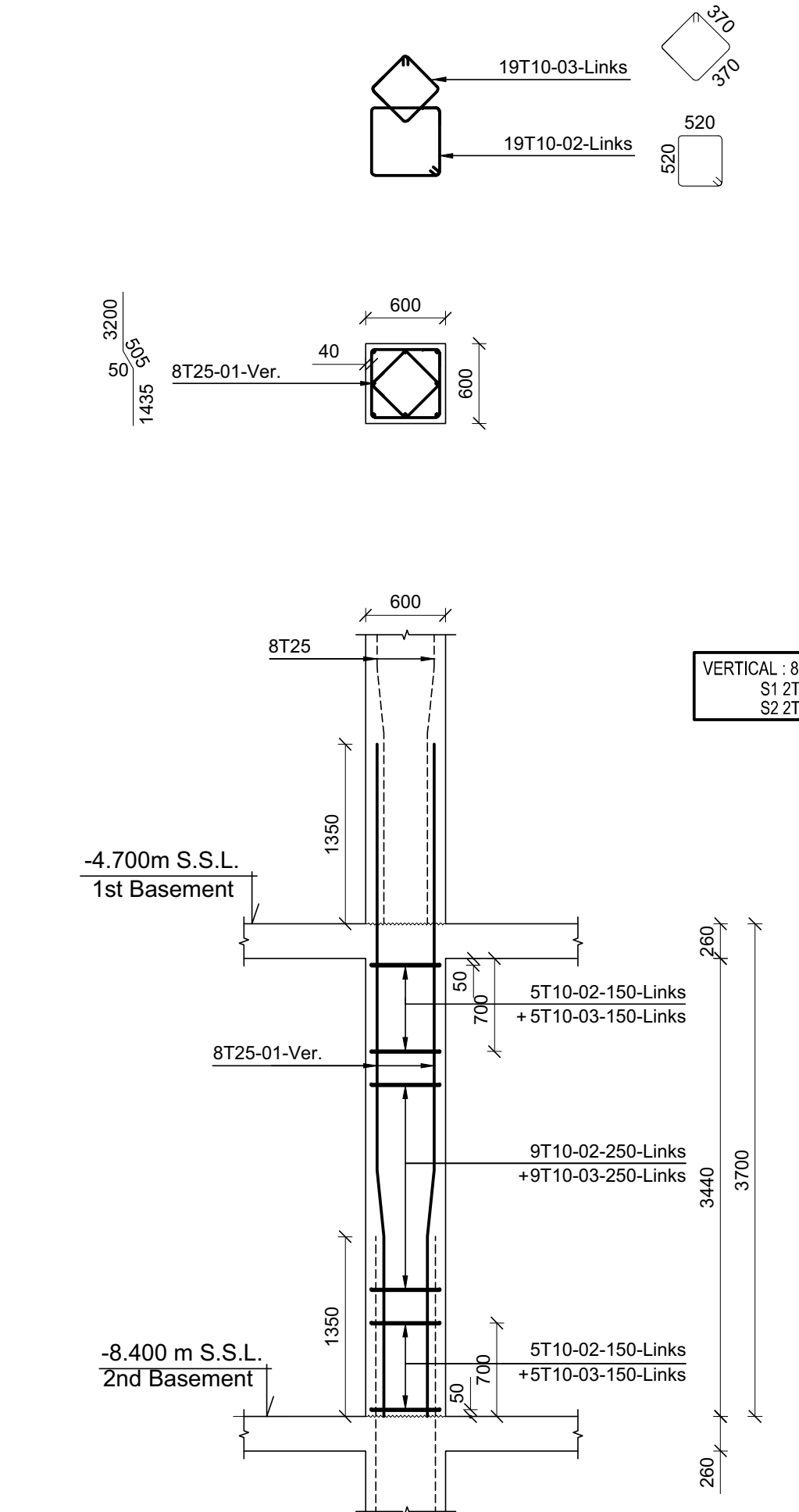
Column C24 (NBRS=7)  
Scale 1:50 **01**



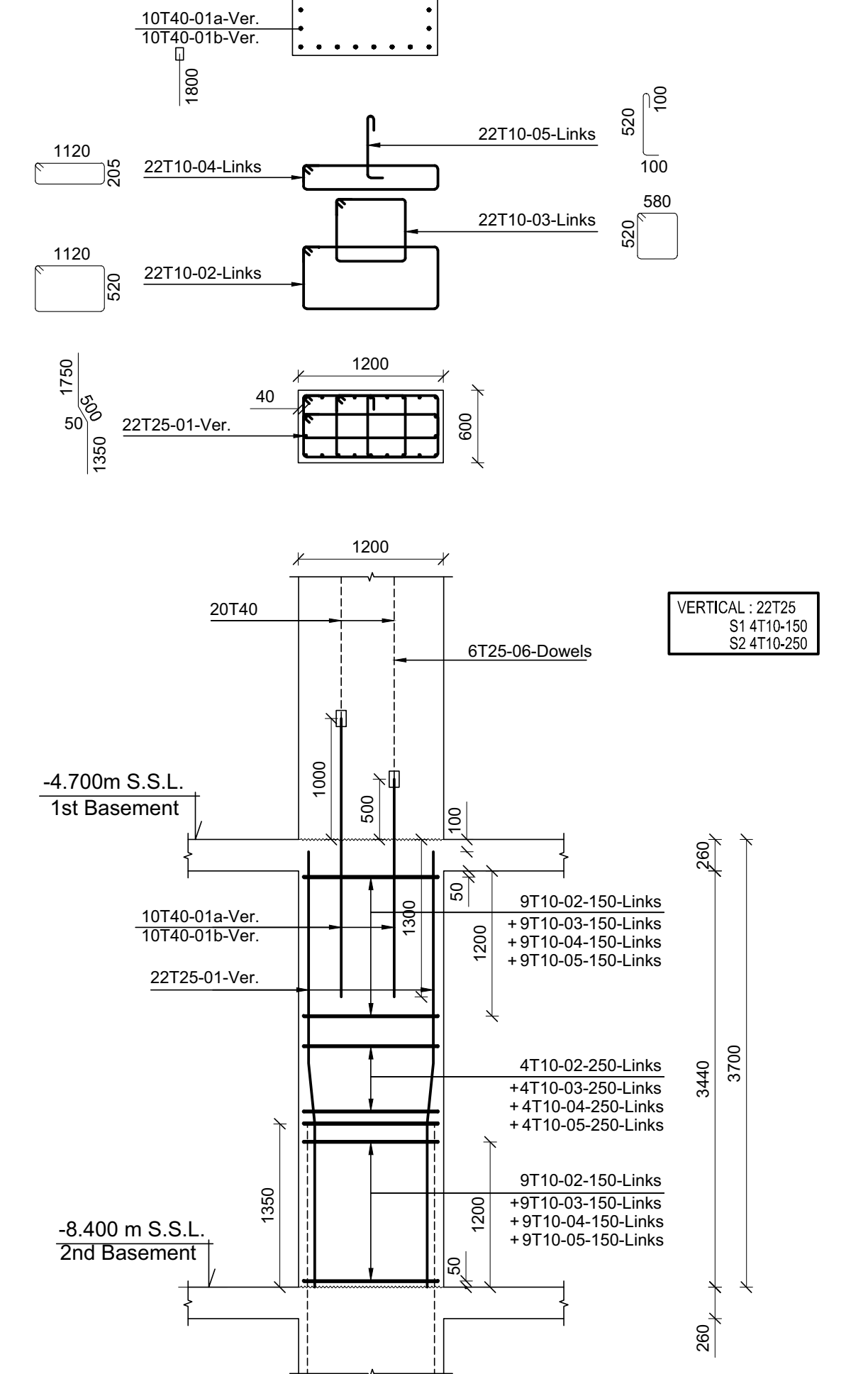
Column C25 (NBRS=1)  
Scale 1:50 **02**



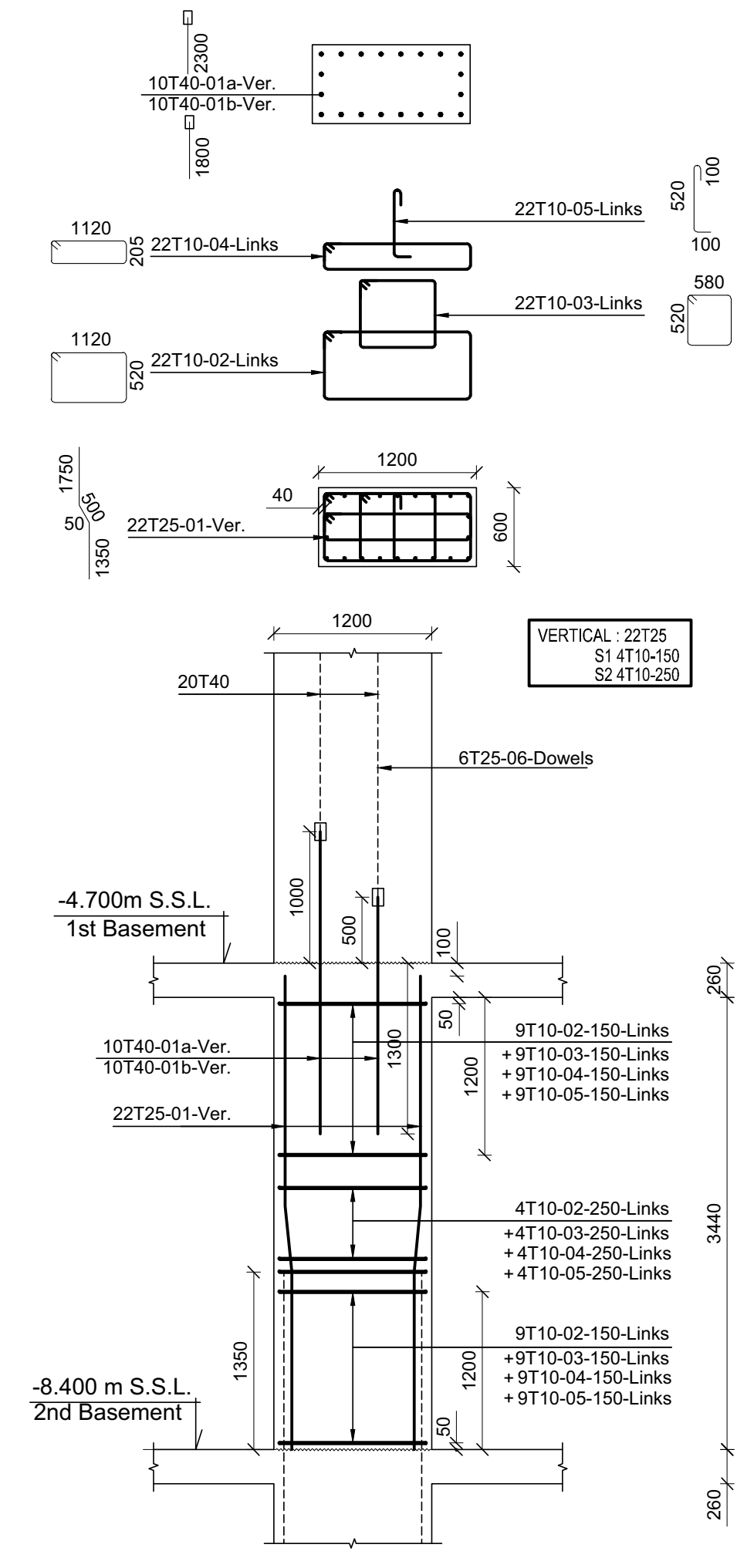
Column C26 (NBRS=1)  
Scale 1:50 **03**



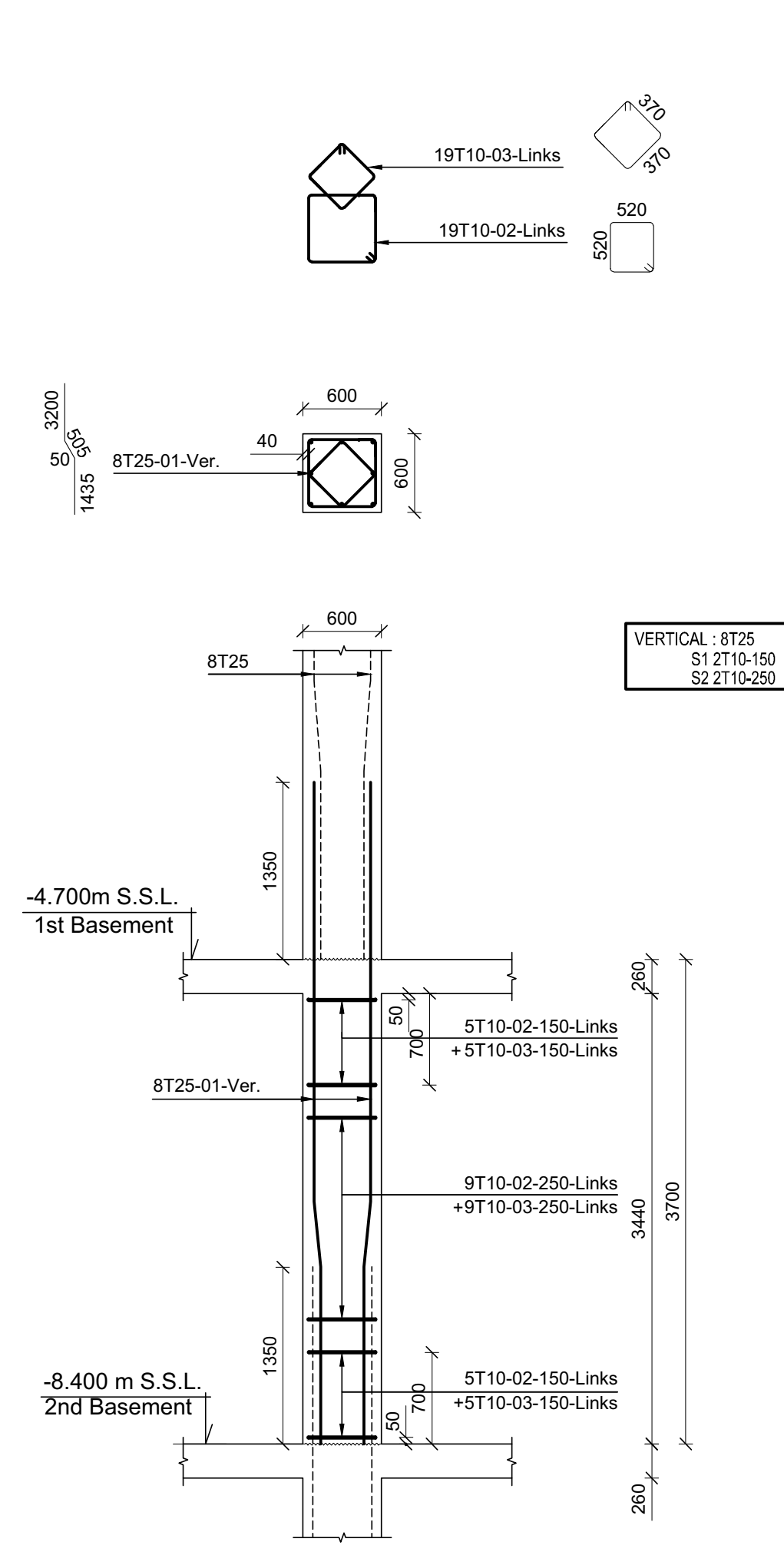
Column C27 (NBRS=1)  
Scale 1:50 **04**



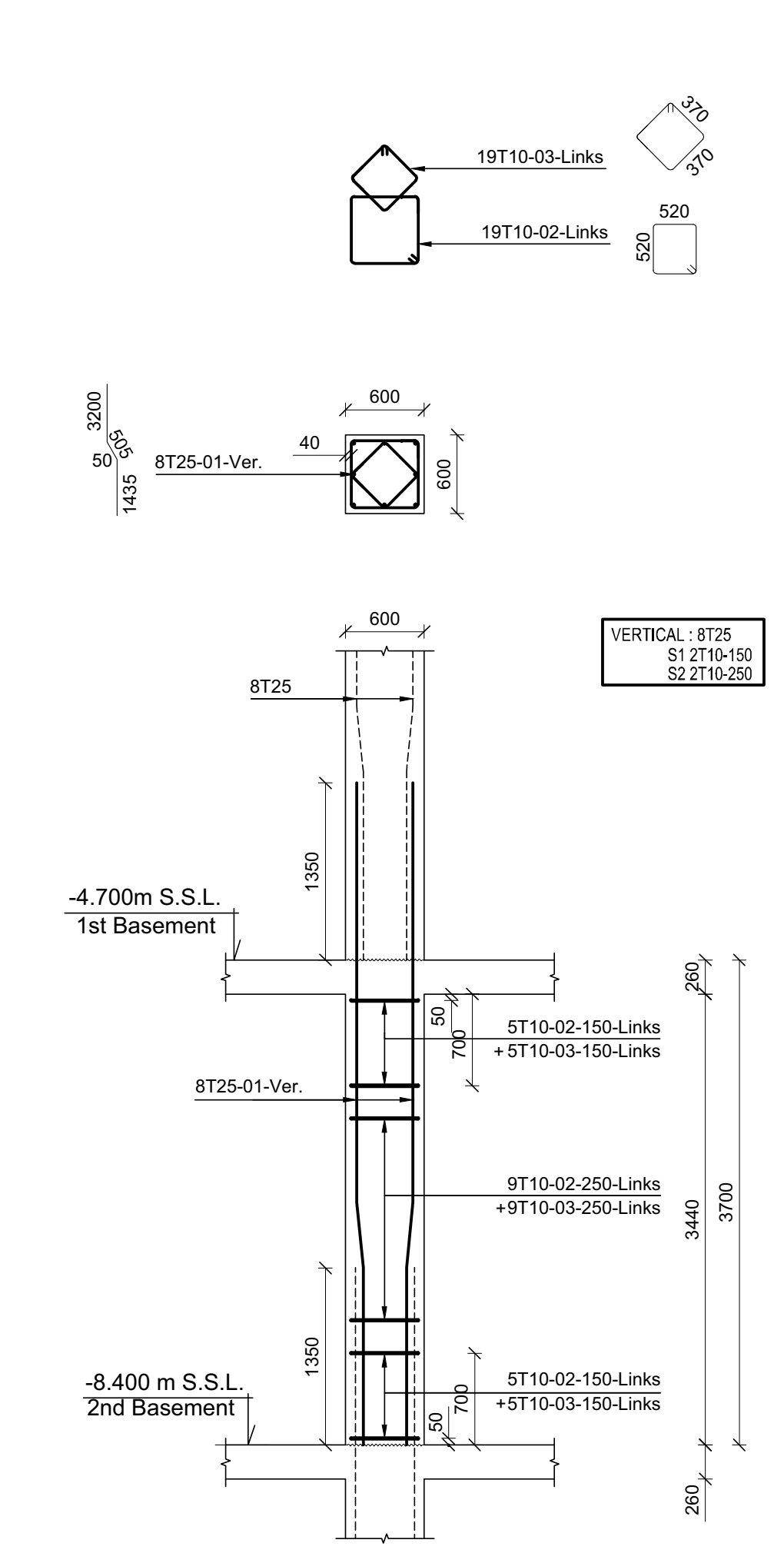
Column C13 (NBRS=1)  
Scale 1:50 **05**



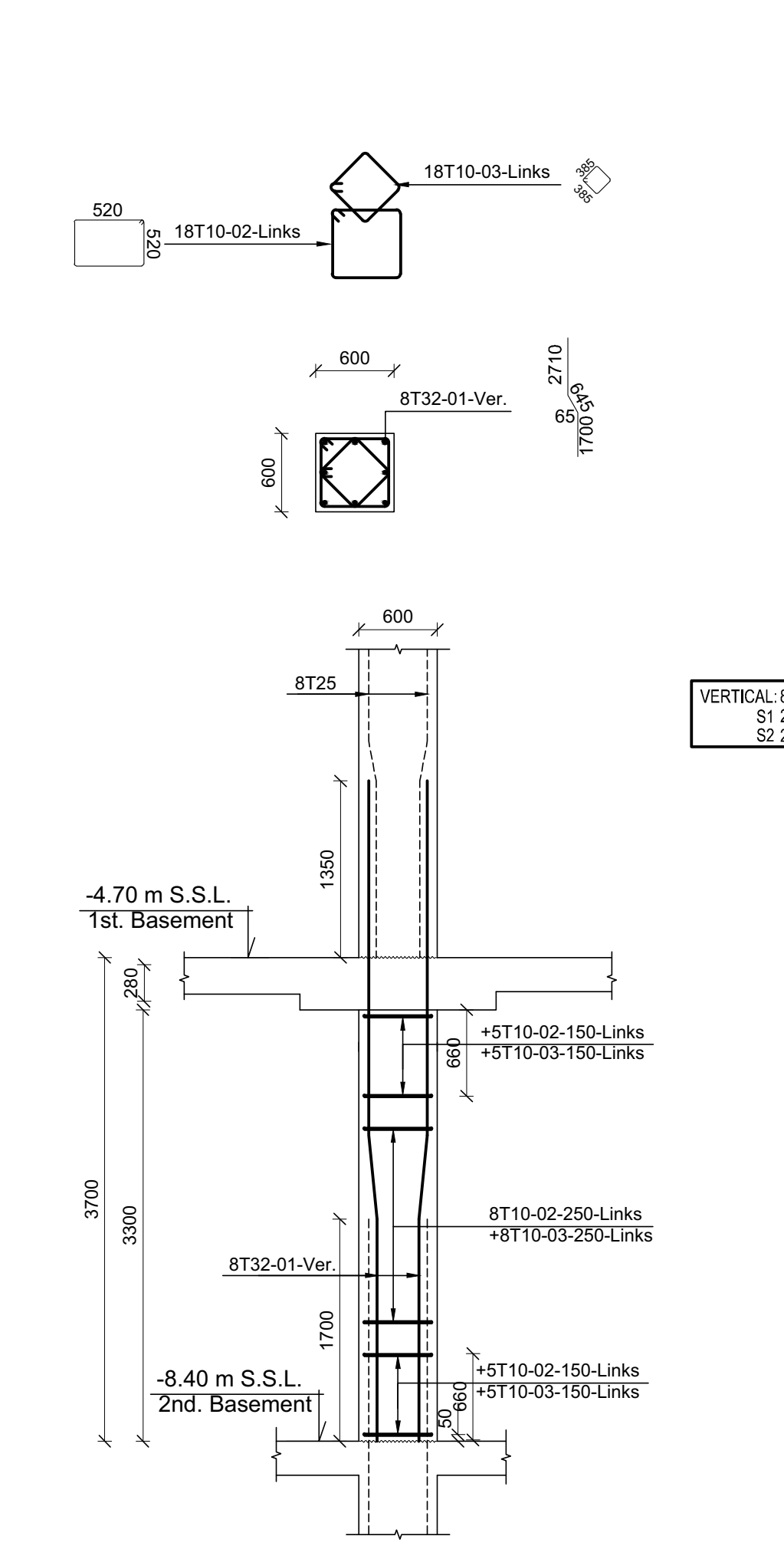
Column C14 (NBRS=1)  
Scale 1:50 **06**



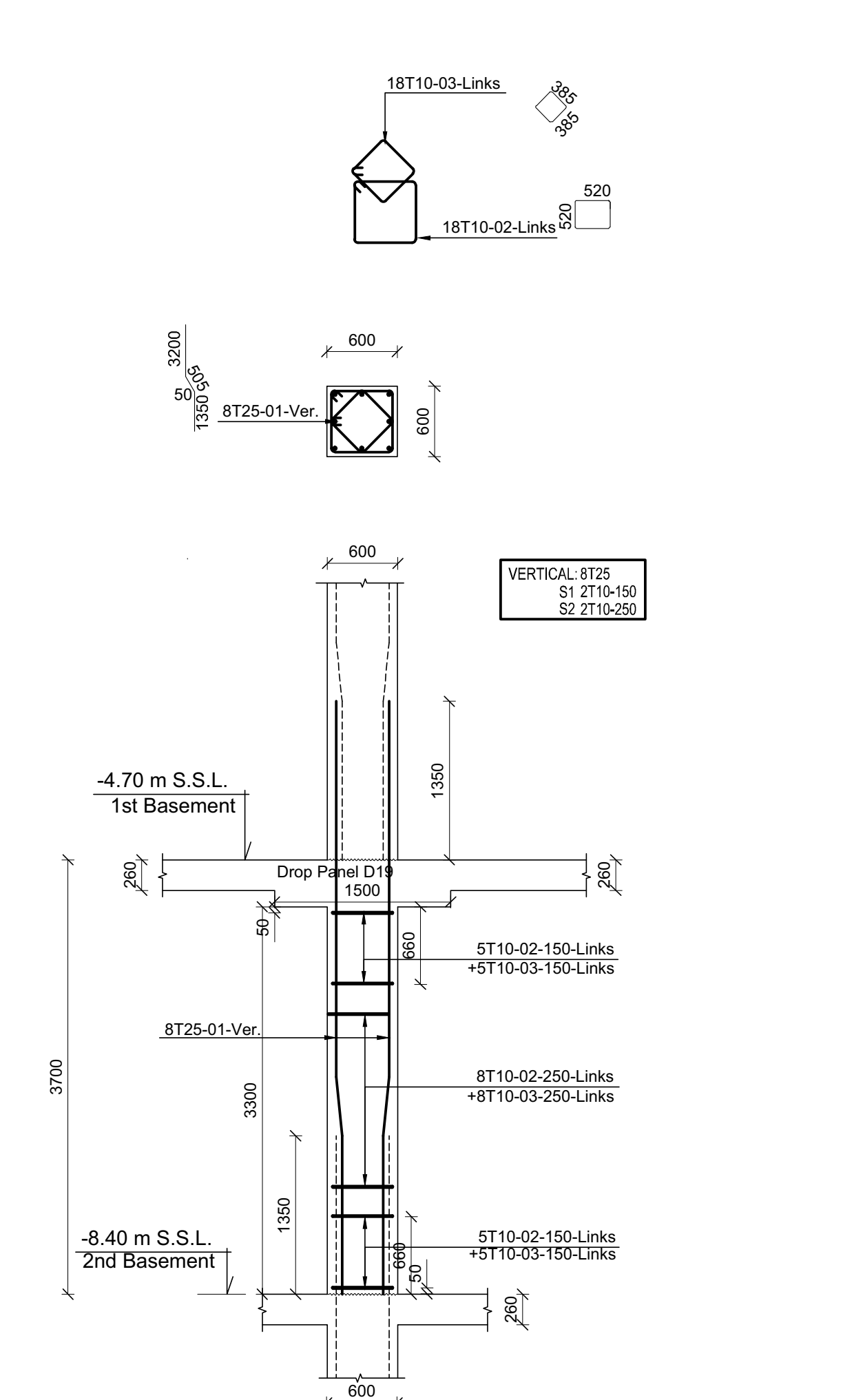
Column C38 (NBRS=1)  
Scale 1:50 **07**



Column C37 (NBRS=1)  
Scale 1:50 **08**



Column C30 (NBRS=1)  
Scale 1:50 **09**



Column C27 (NBRS=1)  
Scale 1:50 **10**